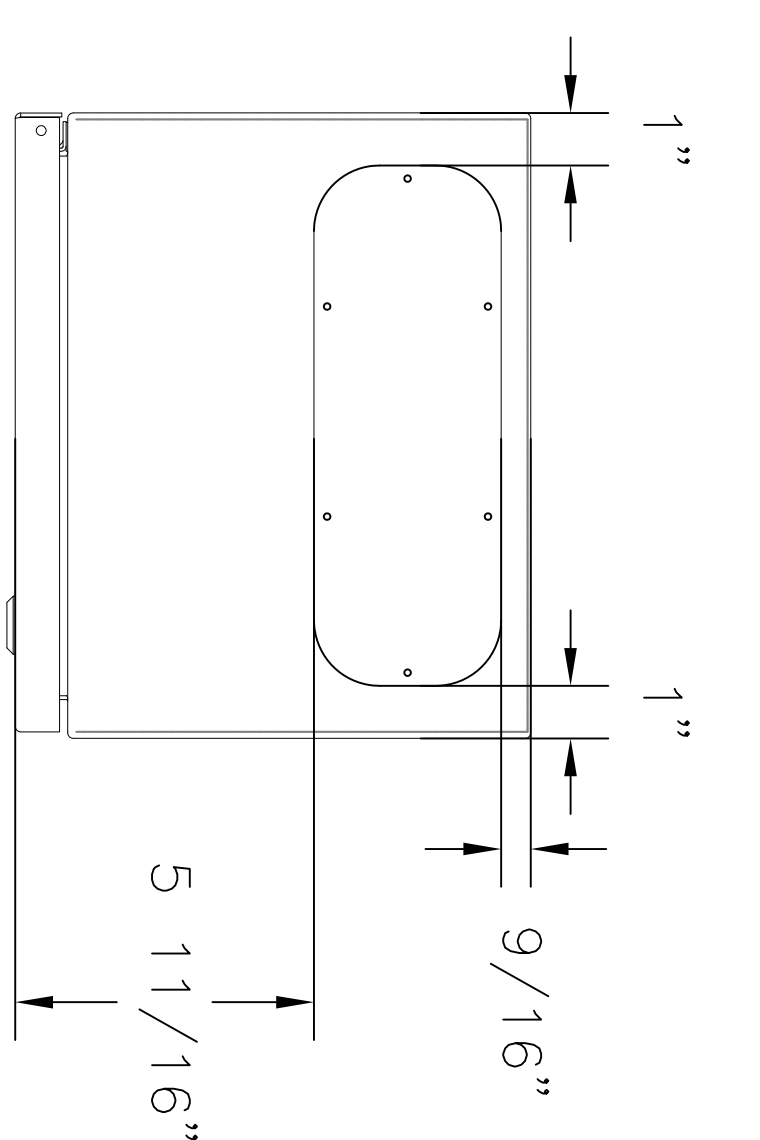
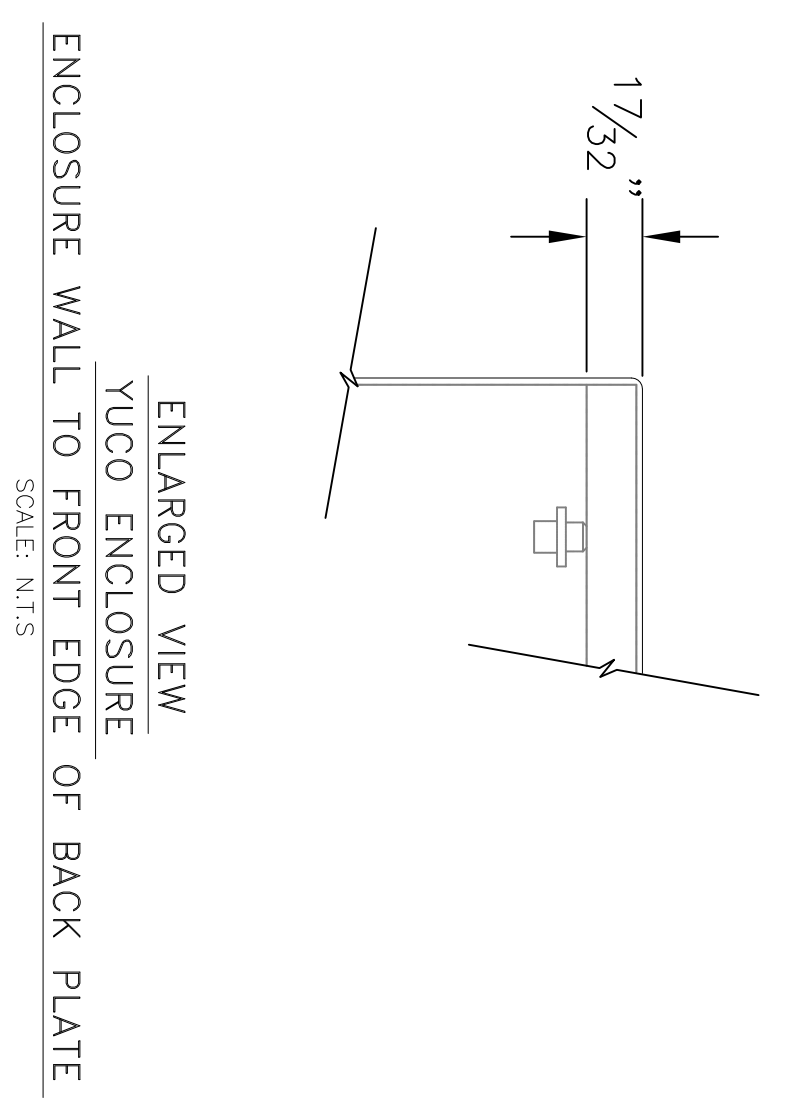


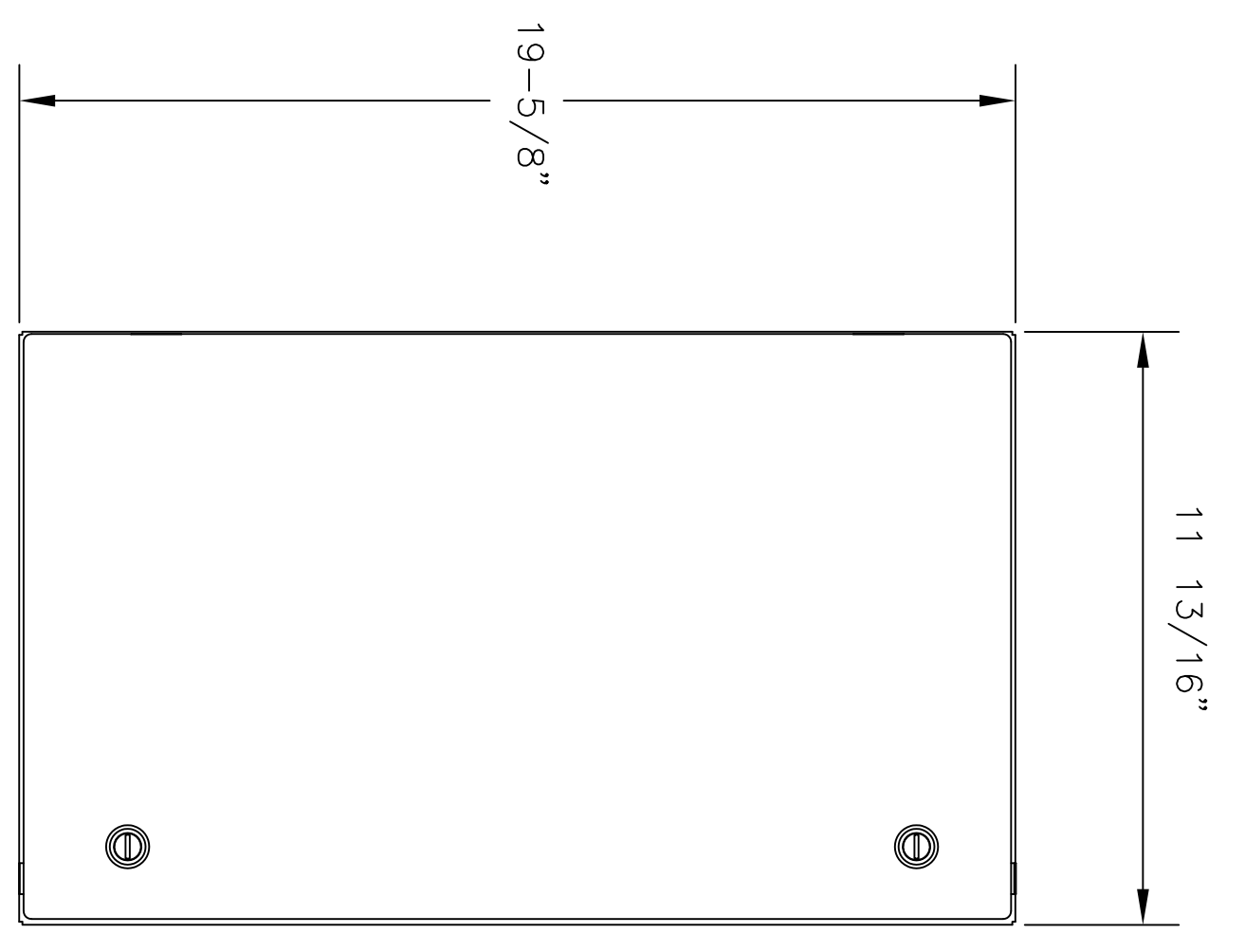
TOP VIEW
YUGO ENCLOSURE
20"X12"X10" SINGLE DOOR NEMA 4
SCALE: FULL



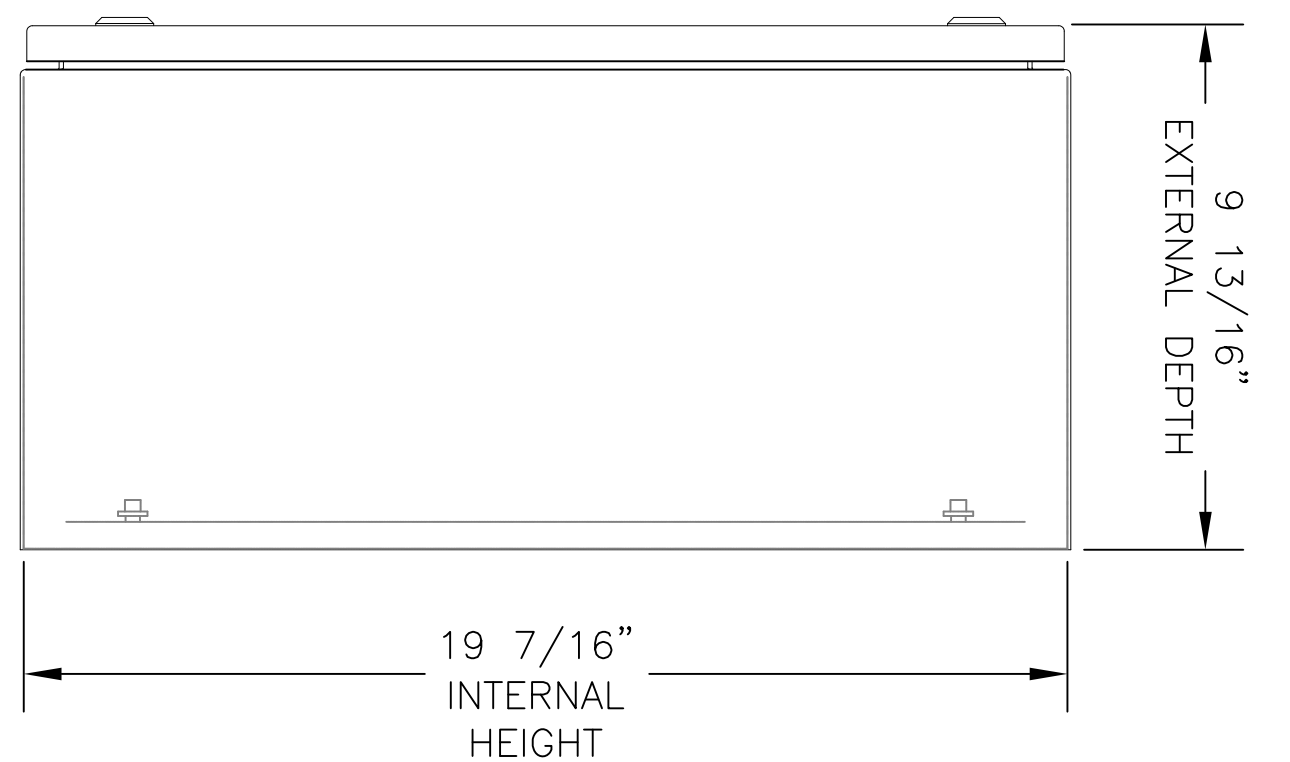
TOP VIEW SHOWING GLAND PLATE
YUGO ENCLOSURE
20"X12"X10" SINGLE DOOR NEMA 4
SCALE: FULL



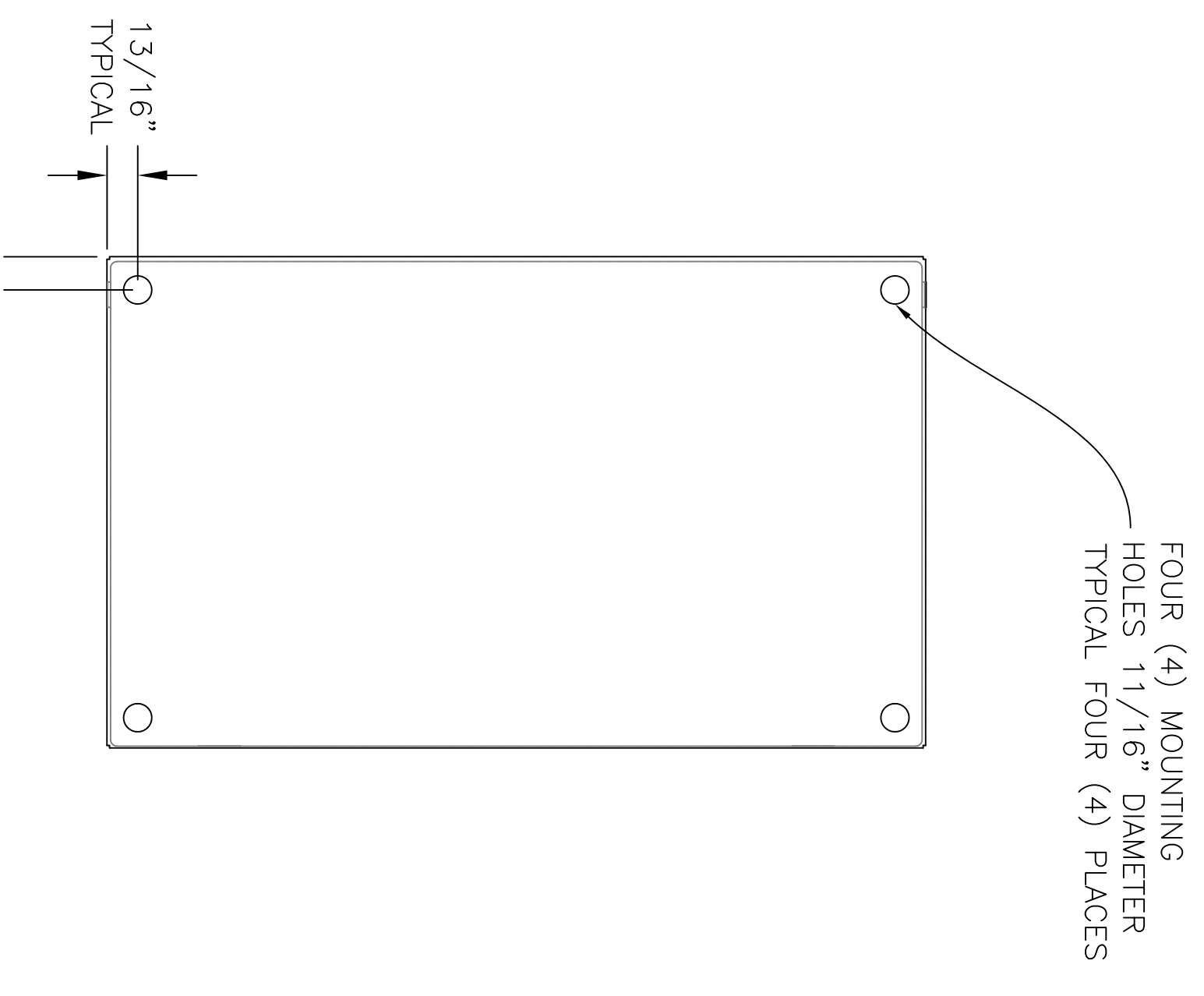
ENLARGED VIEW
YUGO ENCLOSURE
ENCLOSURE WALL TO FRONT EDGE OF BACK PLATE
SCALE: N.T.S.



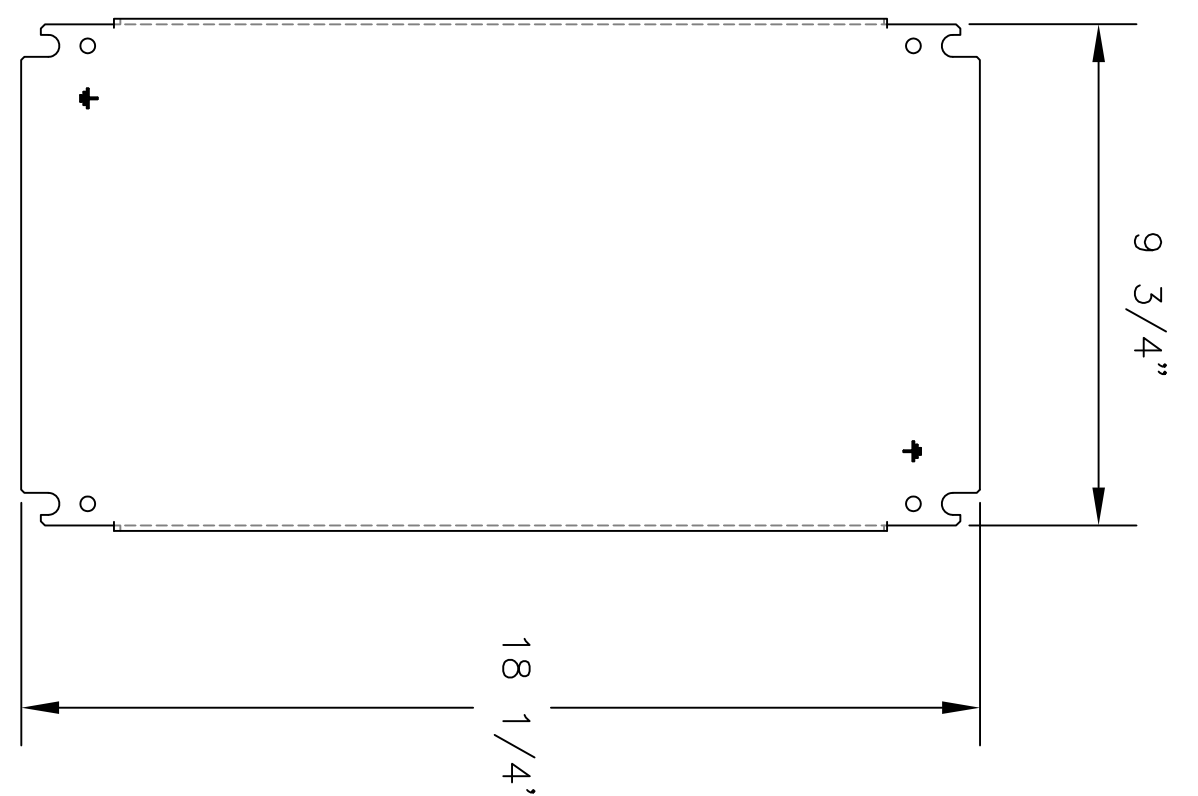
FRONT VIEW
YUGO ENCLOSURE
20"X12"X10" SINGLE DOOR NEMA 4
SCALE: FULL



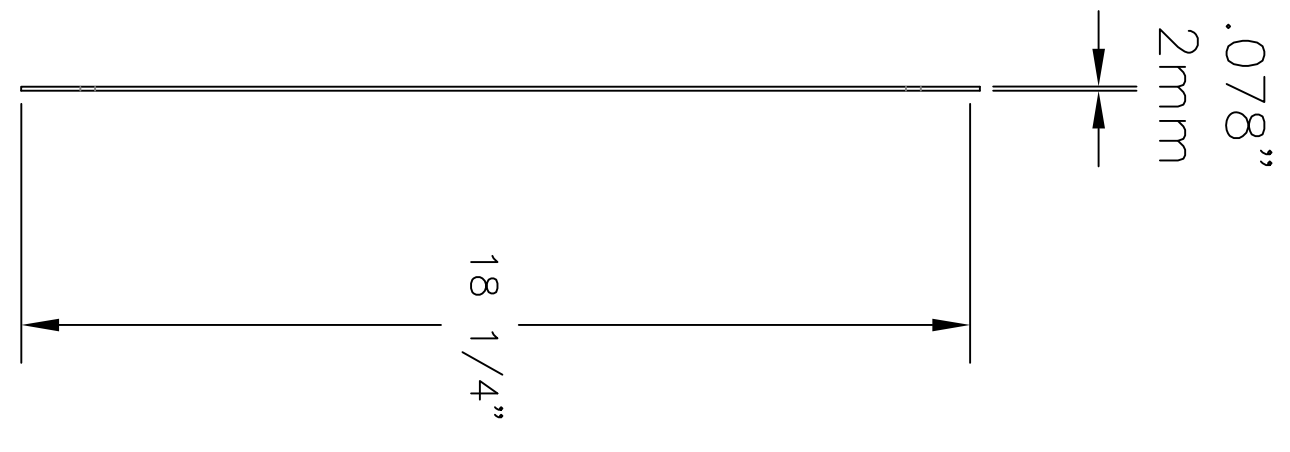
SIDE VIEW
YUGO ENCLOSURE
20"X12"X10" SINGLE DOOR NEMA 4
SCALE: FULL



BACK VIEW
YUGO ENCLOSURE
20"X12"X10" SINGLE DOOR NEMA 4
SCALE: FULL



BACK PLATE
YUGO ENCLOSURE
20"X12"X10" 2mm Thick SINGLE DOOR NEMA 4
SCALE: FULL



REV	DESIGN BY	DATE	SIZE	SCALE	DRAWING NO	SHEET NO	REV
A	ISSUED FOR APPROVAL	07/11/19	D	AS SHOWN	YC-20-12-10	1 OF 1	A

Industrial Electro Tech, LLC
 4616 W. Howard Ln Unit 715
 Austin, TX, 78728

DESIGN BY YUCO	YUCO-20X12X10-UL NEMA TYPE 4 ENCLOSURE
DRAWN BY J. MARTIN	
CHECKED BY K. PAULEY	
APPROVED BY XXXXX	

8 7 6 5 4 3 2 1

A B C D